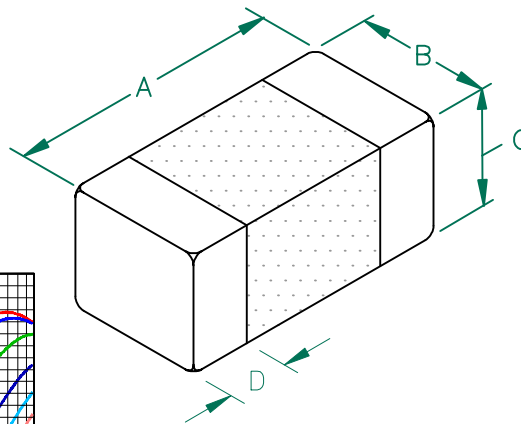


MI0603J680R-10

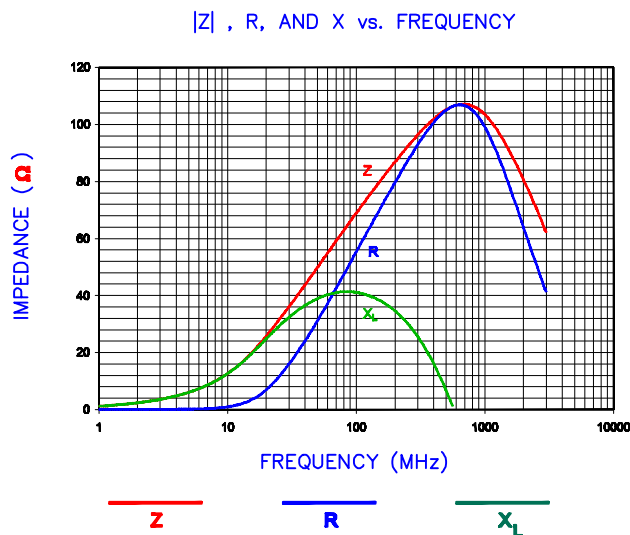
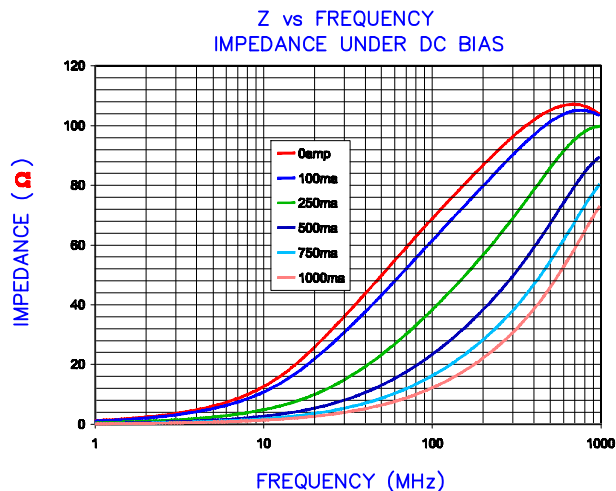
UNCONTROLLED DOCUMENT

PHYSICAL DIMENSIONS:

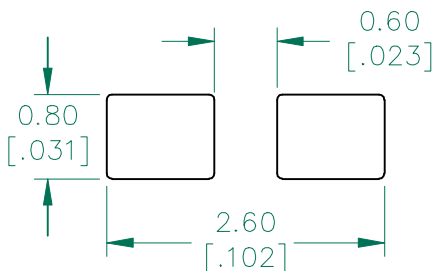
A	1.60 [.063]	+ 0.15	-.006	[.006]
B	0.80 [.031]	+ 0.15	-.006	[.006]
C	0.80 [.031]	+ 0.15	-.006	[.006]
D	0.36 [.014]	+ 0.15	-.006	[.006]



ELECTRICAL CHARACTERISTICS:			
Z @ 100MHz (Ω)	DCR (Ω)	Rated Current	
Nominal	68		
Minimum	51		
Maximum	85	0.10	1000 mA

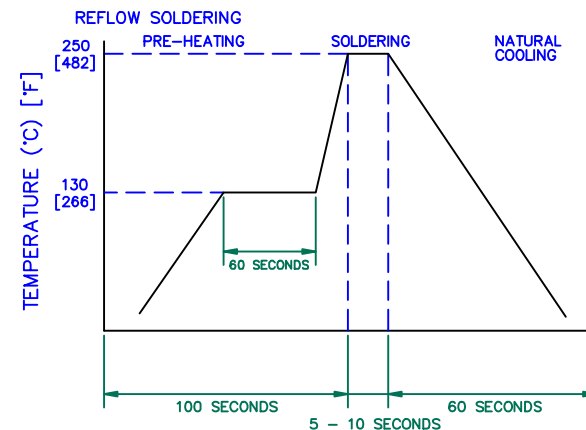


LAND PATTERNS FOR REFLOW SOLDERING



(For wave soldering, add 0.762 [.030] to this dimension)

RECOMMENDED SOLDERING CONDITIONS



DIMENSIONS ARE IN mm [INCHES].				This print is the property of Laird Tech. and is loaned in confidence subject to return upon request and with the understanding that no copies shall be made without the written consent of Laird Tech. All rights to design or invention are reserved.			
				Laird TECHNOLOGIES			
				PROJECT/PART NUMBER:	REV	PART TYPE:	DRANN BY:
				MI0603J680R-10	B	CO-FIRE	TMB
B	UPDATE COMPANY LOGO ADD ROHS SYM	07/24/08	JRK	DATE:	03/30/04	SCALE:	-
A	ORIGINAL DRAFT	03/30/04	TMB	CAD #			
REV	DESCRIPTION	DATE	INT	MI0603J680R-10-B		TOOL #	-
							SHEET: 2 of 2